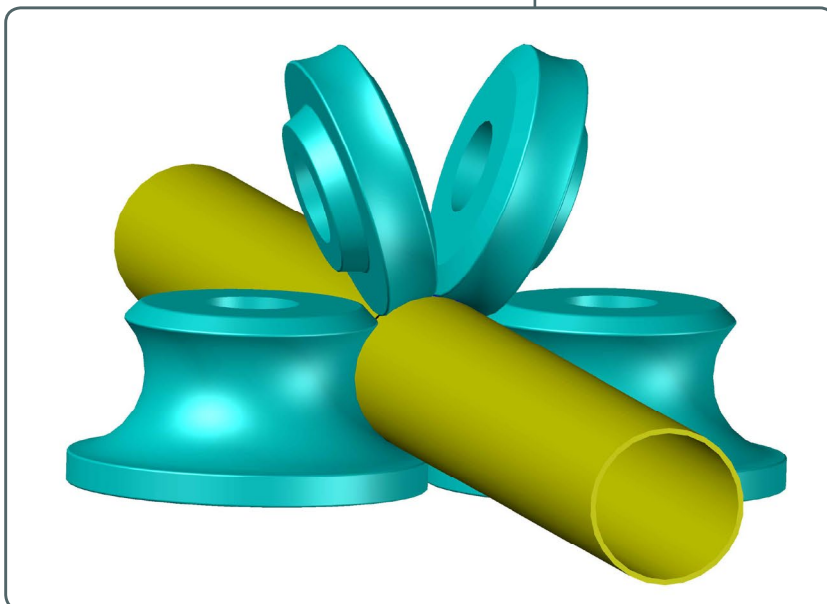
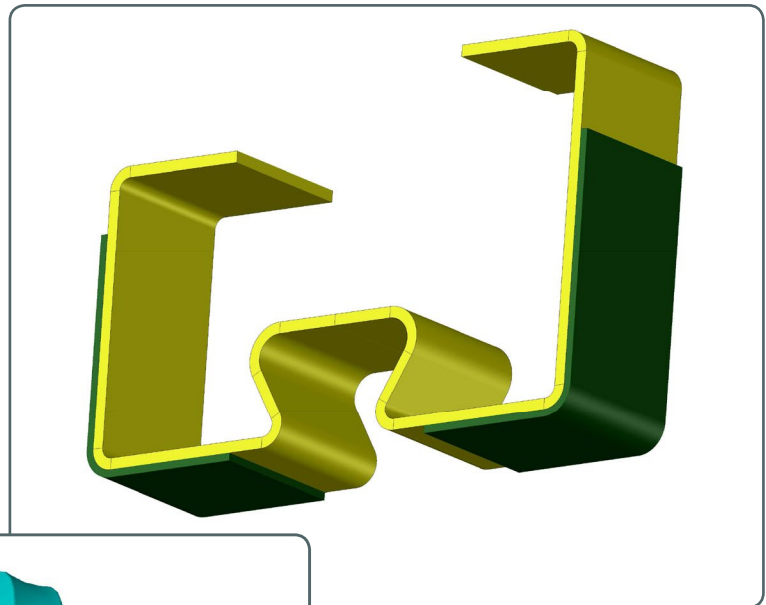


# COPRA<sup>®</sup> RF 2019



## Release Notes

COPRA<sup>®</sup> RF  
State-of-the-Art  
Roll Forming  
Design



# COPRA® RF

## What's new in version 2019

COPRA® RF has been global market leader in the field of roll forming software for some years now, with the latest release of COPRA® RF 2019 our team have worked on new features tailored to the requirements and needs of today's roll forming designers. These new features improve the workflow, making it more efficient and dynamic further still.

NEW

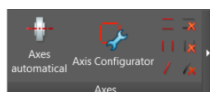
### Optimized Axis Configuration:

With the new Axis Configurator, machine set-up parameters can be defined in a fast, fluid and easy manner. This new tool allows the designer to precisely adjust the machine axis in real-time.

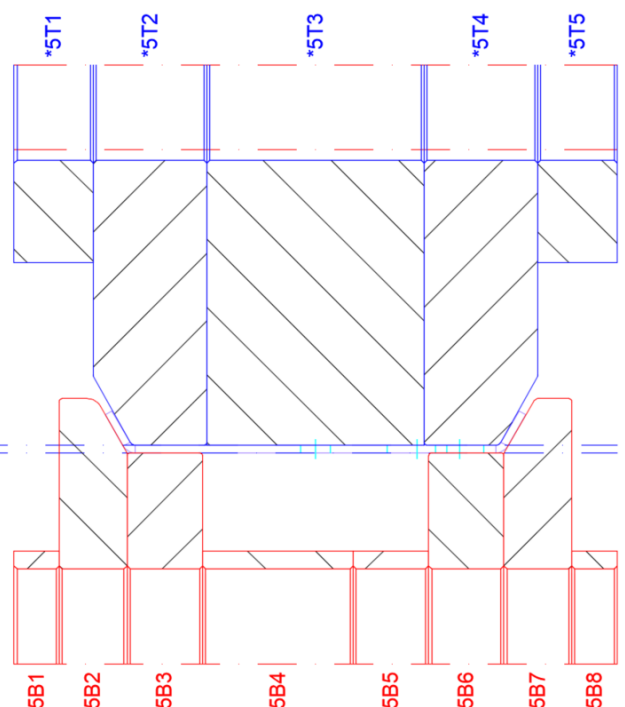
Axes positions can be changed in the table and roll diameters will be updated automatically - ensuring a faster and more effective tool design. Additionally, with this new functionality the user can easily adjust tooling designed to produce a specific profile to a different machine - significantly reducing redesign efforts.

- Time saving through easy and fast axis modification
- Machine settings always up-to-date
- Full control of machine set-up

pass	station	shaft length t/b	Driving-Ø top	Driving-Ø bottom	Centre distance t/b	Ratio t/b	Refradius left	Refradius right	shaft length left	shaft length right	Type
17	0. station	200.00	196.00	140.00	170.50	1.40	-	-	-	-	⊗
16	1. station	200.00	196.00	140.00	170.50	1.40	-	-	-	-	⊗
15	2. station	-	-	-	0.00	-	124.39	187.07	65.00	65.00	⊗
14	3. station	200.00	196.00	140.00	170.50	1.40	-	-	-	-	⊗
13	4. station	-	-	-	0.00	-	122.60	122.60	55.00	55.00	⊗
12	5. station	200.00	252.00	140.00	198.50	1.80	-	-	-	-	⊗
11	6. station	200.00	196.00	140.00	170.50	1.40	-	-	-	-	⊗
10	7. station	200.00	196.00	140.00	170.50	1.40	-	-	-	-	⊗
9	8. station	200.00	196.00	140.00	170.50	1.40	-	-	-	-	⊗
8	9. station	200.00	196.00	140.00	170.50	1.40	-	-	-	-	⊗
7	10. station	200.00	196.00	140.00	170.50	1.40	-	-	-	-	⊗
6	11. station	200.00	196.00	140.00	170.50	1.40	-	-	-	-	⊗
5	12. station	200.00	196.00	140.00	170.50	1.40	92.74	187.69	55.00	55.00	⊗
4	13. station	200.00	196.00	140.00	170.50	1.40	92.74	92.74	55.00	55.00	⊗
3	14. station	200.00	196.00	140.00	170.50	1.40	88.25	88.25	55.00	55.00	⊗
2	15. station	200.00	196.00	140.00	170.50	1.40	86.00	86.00	55.00	55.00	⊗
1	16. station	200.00	196.00	140.00	170.50	1.40	86.00	86.00	55.00	55.00	⊗



252.0000: drivingDia. top  
 140.0000: drivingDia. bottom  
 1.8000: Driv.-Ratio

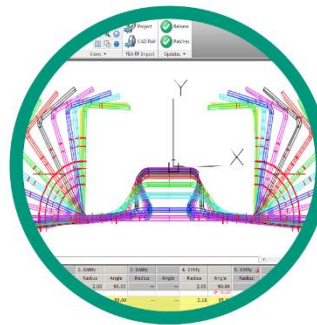
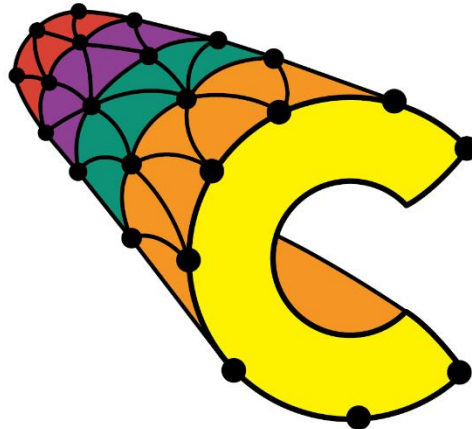


IMPROVED

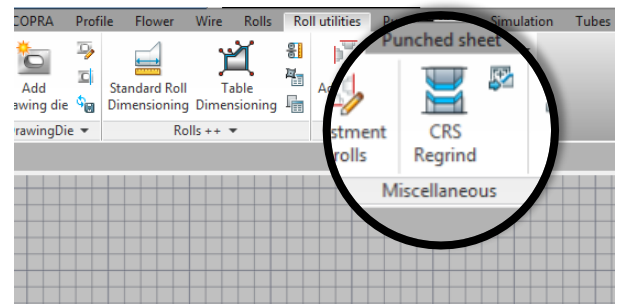
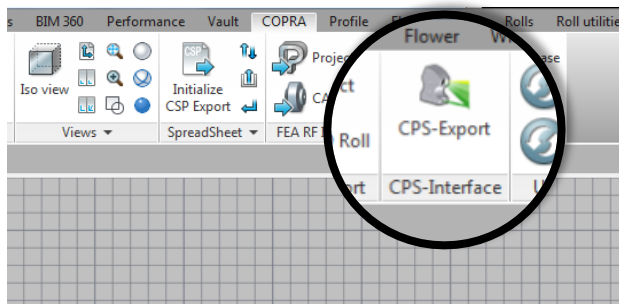
**Improved Integration into the COPRA® Product Family:**

The entire COPRA® product family is continuously furnished with new features and the integration of all products is continuously advancing.

# COPRA® Ecosystem



In our latest version of COPRA® RF, the user can expect a more robust, user-friendly and efficient integration of both COPRA® RollScanner and COPRA® ProfileScan Desktop software and their respective utilities.



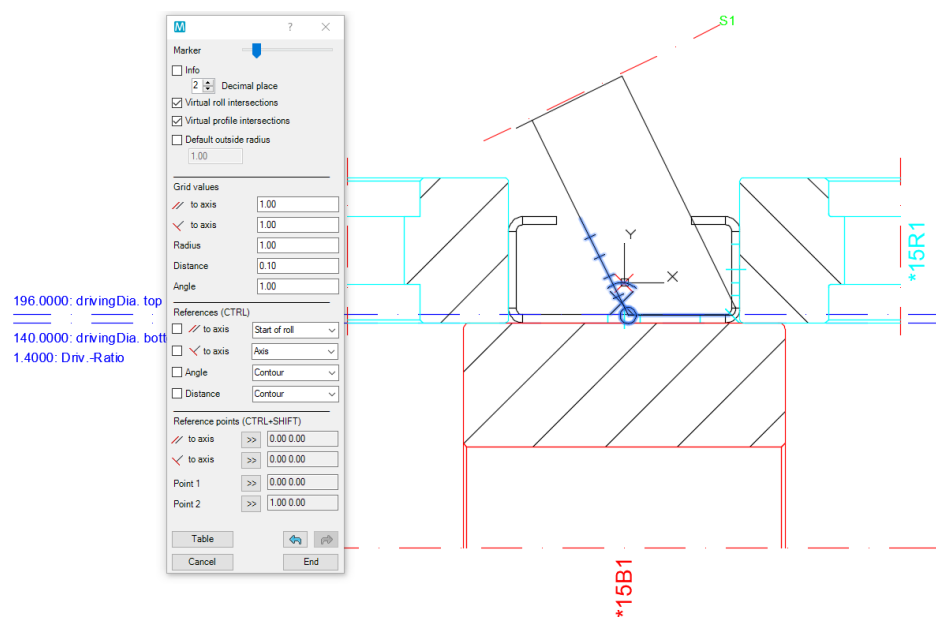
## IMPROVED

**Expanded Smart Roll Possibilities:**

The hugely popular SmartRolls functionality - which allows the possibility to save valuable time through a more efficient roll design - has now been even further enhanced in the COPRA® RF 2019 release.

Developments include:

- SmartRolls can now be used with any axes, including accessory axes
- Copy rolls across stations - available with COPRA® RF 2019 SR1
- Automatic merging of roll entities after roll creation - available with COPRA® RF 2019 SR1



## NEW

**Visualization of Coated Areas in the Profile:**

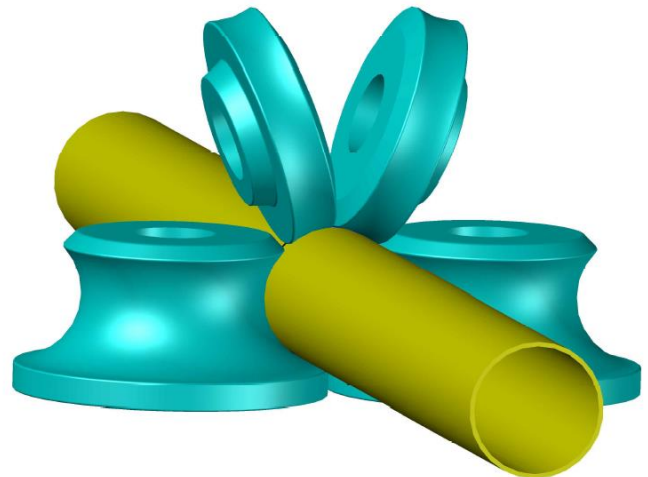
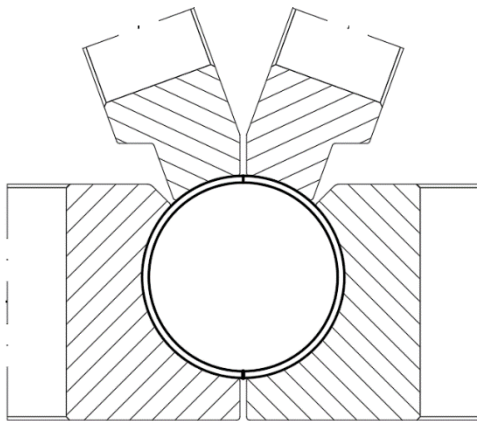
The user can now assign coated and laminated areas to the profile which will then be created and visible in the complete flower design. This enables the designer to always be aware of coated areas, thus allowing development of the appropriate roll design to prevent surface damage.



NEW

**Four-Roll Welding Pass (Tube Mill Program):**

New station type: For producers of round and shaped tubes. COPRA® RF 2019 now offers the possibility to automatically generate a four-roll-welding-pass. With this new development designers can now choose from two-, three-, four- and five-roll welding pass solutions.



NEW

**CNC Table Dimensioning:**

Manually programmed turning centres are still being widely used in industry for roll tool production, thus COPRA® RF 2019 allows a more efficient programming of such machines. The designer can now create a detailed table with the coordinates of the roll contour, for simplistic programming at the CNC control.

## Additional Developments and Notes

- + *UNDO is now available with all commands (COPRA® RF WireRolling 2019)*
- + *Optimised Conversion of Splines into Polylines (COPRA® RF WireRolling 2019)*
- + *Improved Handling when working in 3D Model (COPRA® RF WireRolling 2019)*
- + *AutoCAD 2019 support*
- + *Inventor 2019 support*
- + *SolidWorks 2019 support*
- + *Improved general usability*

## SR1 – Additional Developments and Notes

- + *AutoCAD 2020 support*
- + *AutoCAD Mechanical 2020 support*
- + *Inventor 2020 support*
- + *SmartRolls: It is now possible to copy rolls across stations*
- + *SmartRolls: Copy and move: Option “axis to roll” is now implemented*
- + *SmartRolls: Automatic merging of roll entities after roll creation*
- + *NC-Contour: Automatic purging of unused layers*
- + *Axis Configurator: Drawing of side axis reference line and reference point can now be switched separately*

## SR1 – BugFixes

- + *Axis Configurator:* Settings in table editor and station editor are synchronized now
- + *Axis Configurator:* No more screen flickering (multiple screen redraws) when starting the axis configuration table
- + *CadFinder:* Message "Project locked by other user" remains in the foreground now
- + *CadFinder:* AutoCAD titleblock is no longer filled when opening a document with write-protection
- + *Licensing:* In some configurations, error messages were generated about non-existent licenses for modules that are not used at all.
- + *RLM:* Roll preview from project parts list is now possible
- + *RLM:* Roll number quick search delivered rolls without attributes -> fixed now
- + *RLM:* Inserting a roll from the database triggered a change to this roll. Consequence: Conflict in other projects that use this roll-> fixed now
- + *OEM-Version:* English version could not be started-> fixed now
- + *Project-wide Roll Cloning:* Rolls were partially mirrored during cloning over several stations-> fixed now
- + *Resolve Roll Clones:* Crash after operations on freshly resolved rolls-> fixed now

- + **Cloning Rolls:** Roll numbers of rolls on different axes were always fixed-> fixed now
- + **Grouping Rolls:** Rolls were partly mirrored -> fixed now
- + **Roll Attributes:** Favorites are saved now
- + **General:** Display problems under Windows 10 with text zoom enabled have been fixed (e.g. Chinese language setting did not show roll attribute names)
- + **General:** Chinese translations revised
- + **Roll Numbering:** Editing of abbreviations for roll numbers is again possible
- + **InfoCenter:** Reference to false documents-> fixed now
- + **SpreadSheet:** Set unfolding plane: number of elements is no longer restricted to 100 elements
- + **Create/Delete Special Axes:** Crash in CRF 2013 projects -> fixed now
- + **Changing Axes Length:** Crash in CRF 2013 projects -> fixed now
- + **SmartRolls:** When copying rolls, the copied contour is now deleted.
- + **Section Properties:** Partial crash, if complete representation with MText was selected-> fixed now
- + **General:** After initializing COPRA, AutoCAD texts could no longer be edited via grip points -> fixed now
- + **Assembly Plan:** Roll number is now displayed also for rolls on special axes
- + **Single Roll Dimensioning:** with inactive CadFinder the files are not created-> fixed now
- + **Single Roll Dimensioning:** Reference line for left-hand special rolls is drawn correct now
- + **Edit Foils:** old foil is deleted now
- + **Table Dimensioning:** partly wrong values in scaled view -> fixed now



## **SR1.1 – Additional Developments and Notes**

+ *Several Bugfixes*

## **SR1.2 – Additional Developments and Notes**

+ *AutoCAD 2021 support*

+ *Unterstützt AutoCAD Mechanical 2021 support*

+ *Unterstützt Inventor 2021 support*

+ *Several Bugfixes*



data M Sheet Metal Solutions GmbH | Am Marschallfeld 17 | 83626 Valley | Germany | [www.datam.de](http://www.datam.de)

